

# Price list 2021

[Switzerland]

Recommended Retail Price, EUR excl. local VAT

2nd Edition



# Index

---

<b>Intro</b>	page	3
Standard sales and delivery terms and conditions	page	4
<b>The collection</b>		
Asger	page	6
Asento	page	7
Button-Up	page	8
Cor	page	9
Cushions / seat pads	page	10-15
Cymbal	page	16
Element Lamp	page	17
Full-cover	page	18
Hang-Up	page	19
Hemingway	page	20
Inverse	page	21
Layer It	page	22
Luxury Cushions	page	23
Marokko	page	24
Meet Table	page	25
Metro	page	26
Momento	page	27
NO. 9 Floral Edition	page	28
Otto	page	29
Pado 1	page	30-31
Pado 2	page	32-33
Plaited	page	34
Primum Bar Stool	page	35
Primum Chair	page	36-37
Primum Lounge Chair	page	38
Primum Lounge Table	page	39
Primum Sofa	Page	40
Primum Table	page	41
Since Chair	page	42
Soft Cushions	page	43
Stool	page	44
Tension Daybed	page	45
Tension Lounge Chair	page	46
Track	page	47
Up The Wall	page	48

# Intro

---

## **Prices**

This price list is applicable from September 20th 2021 and replaces all previous price lists.  
All prices are in Euro, free of VAT.

## **Freight costs**

Freight costs are not included in the retail prices.

## **Returned goods**

Articles will not be taken back without prior arrangement.

## **Customer textiles or leather**

Customer textiles or leather will not be accepted without prior arrangement.

Misprints might occur.

## **Bent Hansen a/s**

Kaolinvej 1

DK-9220 Aalborg Øst

Telefon: +45 98 13 31 71

Mail: hvid@benthansen.net

CVR: 28656610

[www.benthansen.dk](http://www.benthansen.dk)

# Standard sales and delivery terms and conditions

---

## 1. Applicability

1.1. The present standard sales and delivery terms and conditions are applicable for all deliveries from Bent Hansen A/S unless agreed upon otherwise in writing.

## 2. Offer and order placement

2.1. Offers issued by Bent Hansen A/S are valid for 30 days from the date of the offer. Binding orders are only first entered into when a written order confirmation has been issued by Bent Hansen A/S. In the event of any inconsistencies between the offer and acceptance of an offer, the order confirmation issued by Bent Hansen A/S shall apply.

## 3. Cancellation of orders

3.1. Purchasers may cancel an order at no charge as long as it has not been placed into production. If the order has been placed into production, then the purchaser is obligated to pay for the order, unless a different agreement is entered into between the purchaser and Bent Hansen A/S.

## 4. Delivery

4.1. Delivery will occur ex works with respect to the applicable Incoterms. In the event that Bent Hansen A/S cannot deliver on time, due to circumstances that must be deemed to comprise force majeure, then the delivery time will be postponed. Bent Hansen A/S shall in such cases give notification of when delivery may be expected to take place.

4.2. If upon issuance of the order it has been agreed that the purchaser will fetch the delivery itself and the purchaser is unable to carry out the pick-up at the agreed point in time, Bent Hansen A/S will arrange for the delivery to be stored at the purchaser's expense and risk.

4.3. If the purchaser upon notification that the delivery is ready does not consider itself to be in a position to receive the delivery, then Bent Hansen A/S will arrange for the delivery to be stored at the purchaser's expense and risk. Bent Hansen A/S will however invoice the purchaser for the delivery upon the notification that it is ready.

4.4. If the purchaser is itself responsible for fetching the delivery, then the purchaser itself is liable for the freight and the proper packing and cannot in the event of damage during shipping lodge a claim/complaint concerning such against Bent Hansen A/S. If the purchaser has a need for special transport-suitable packaging, then Bent Hansen A/S is able to offer such as against a fee.

4.5. In the event of a delay, Bent Hansen A/S does not, regardless of the cause, have any liability for indirect losses, for example lost earnings, operating losses, consequential damages or expenses.

## 5. Price and payment

5.1. All prices are specified in Euro excl. VAT.

5.2. The payment terms and conditions are net 8 days unless agreed upon otherwise. For late payments, interest will be added on the outstanding amount due to Bent Hansen A/S at the statutory rate of interest, currently 8.05 % per annum, 30 days from the due date on the invoice, cf. the Danish Late Payments of Commercial Debts Act, section 3, subsection 2, cf. section 5.

5.3. Delays, deficiencies or other claims on the part of the purchaser do not entitle the purchaser to withhold the purchase sum or undertake offsetting, thus the purchaser is obligated to pay the purchase sum as if defect-free delivery had taken place on time, with the purchaser being referred to restitution.

## 6. Property rights

6.1. Deliveries from Bent Hansen A/S remain the property of Bent Hansen A/S until payment has been made.

## 7. Responsibility for deficiencies

7.1. The purchaser has the responsibility to immediately examine the delivery upon receiving it.

7.1.1. For visual shipping damages to the content of the delivery, the purchaser must immediately reject the shipment with respect to the carrier "due to transport damage". The purchaser must thereafter contact Bent Hansen A/S, subsequent to which Bent Hansen A/S will send a new item as soon as possible.

7.1.2. For visible shipping damage to the packaging of the delivery, the purchaser must request the carrier to wait for the purchaser's examination of the content of the delivery for shipping damage. If the carrier against expectations will not permit this, then the purchaser may either reject the shipment or note "received with reservation for errors and deficiencies" on the consignment note, if the purchaser assesses that the content could still be in good condition. If the delivery turns out to be damaged, the purchaser must contact Bent Hansen A/S within 2 days.

7.1.3. In the event of hidden shipping damage, the purchaser is obligated to check at the latest 2 days after receipt that the delivery is in order. If the purchaser experiences after 2 days that there is hidden shipping damage to the delivery, then the purchaser must immediately lodge a claim/complaint over such with Bent Hansen A/S.

---

**7.2.** In the event of errors or defects, Bent Hansen A/S is obligated and entitled to remedy such, by performing repairs or replacement at the choice of Bent Hansen A/S. Any possible errors and defects do not entitle the purchaser to a reduction in the price and/or cancellation of the agreement.

**7.3.** If Bent Hansen A/S recognises that errors or defects exist, then the purchaser must return the defective item to Bent Hansen A/S at the purchaser's expense and risk.

**7.4.** Bent Hansen A/S is not liable for errors or deficiencies that can be attributed to the purchaser itself producing customer material or other things for the delivery.

**7.5.** Bent Hansen A/S is not liable for errors or defects attributable to natural wear and tear caused by improper use, excessive scratching/scraping/rubbing of objects on a surface, the use of abrasives, or cleaning products, or placing hot or cold objects on surfaces.

**7.6.** Bent Hansen A/S is not liable for changes in product colour, grain or texture that can be attributed to elapsed time, exposure to natural or artificial light, or direct heat, cold or moisture exposure.

**7.7.** Bent Hansen A/S is not liable for slight variations in the order's physical appearance compared to visual representations or descriptions provided by catalogues, samples, displays and websites. This applies to variations in colour and texture of wood and leather, for example, insect bites, folds due to the elasticity of the leather, fingermarks, dirt and sheen on dark and/or matt surfaces.

**7.8.** Bent Hansen A/S is not liable for small variations in the order's dimensions compared to the stated indicative dimensions in visual representations or descriptions that are provided by catalogues, samples, displays and websites.

## **8. Design and quality requirements for special production**

**8.1.** The following requirements are posed for the purchaser's preparation of the item before processing if the purchaser has delivered the material. Reservations are made for errors and damage that are due to deficient preparation and which might only first appear after the processing.

**8.2.** If quality requirements are not agreed upon beforehand by referring to a reference item, drawing or other description, then Bent Hansen A/S makes it a precondition that the item be suitable for the agreed processing – including that it is possible to achieve a satisfactory result. If an examination by Bent Hansen A/S shows that the result of the agreed processing is uncertain, Bent Hansen A/S may withdraw from the agreement or demand that the purchaser declare in writing that it recognises and accepts that it will not assert claims for deficiencies against Bent Hansen A/S if the purchaser regardless does not wish the items to be processed as agreed. If in the tender documents both the result requirement as well as the processing method are specified, then the processing method will take precedence in the event of any discrepancies.

## **9. Product liability**

**9.1.** For product liability, the rules applicable at any point in time under Danish law shall apply. Bent Hansen A/S is however never liable for operating losses, lost earnings, consequential damages or other indirect losses of expenses.

**9.2.** Bent Hansen is not liable for damage inflicted by the delivery

**9.2.1.** on third parties, real estate or moveables that arises while the delivery is in the purchaser's possession or resold to a third party.

**9.2.2.** on products that are produced by the purchaser or on products in which these are used in, or for damage to third parties, real estate or moveables that these products cause in consequence of the item.

**9.3.** The purchaser shall indemnify Bent Hansen A/S to the extent that liability is imposed on Bent Hansen A/S to third parties for such damage or such losses that Bent Hansen A/S pursuant to the above is not liable for to the purchaser.

**9.4.** If a third party files a claim against Bent Hansen A/S, then the purchaser is obligated to allow a legal action to be brought against itself in the same court, which addresses the claim for compensation against Bent Hansen A/S.

## **10. Choice of law and disputes**

**10.1.** Any dispute that might arise between Bent Hansen A/S and the purchaser must be resolved with respect to Danish law and at the court in Aalborg.

Type	Wooden chair
Dimensions	H: 80 cm, W: 58 cm, D: 52,5 cm Seat height, wooden seat: 43,5 cm Seat height, upholstered seat: 44,5 cm Seat depth: 46 cm Seat width: 46 cm Arm rest height: 68,5 cm (measured 18 cm from front edge)
Variants	Beech, oiled Beech, black-painted Oak, oiled
Glides	Standard with felt
Upholstery	10 mm 50 kg high resilience foam
Cover	See selection below. Please, contact us for special requests.

## Variants

Beech, oiled	568
Beech, black-painted	601
Oak, oiled	656

## Surcharge for seat upholstered with fabric or leather:

### Fabric

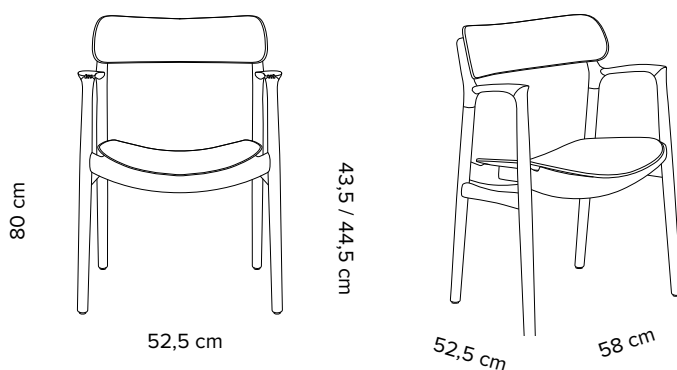
Kjellerup Væveri: Vils 22-100/110	87
Kjellerup Væveri: Vils 22-140/112	
Kjellerup Væveri: Langeland nord F, 30-999/355	

### Leather

Zenso 2	94
Adrian	119
Ranchero, colour: Dark-Grey, Whisky, Nuss, Kastanie, Kakao, Schwarz	137
Davos	137

Please, contact us for special requests.

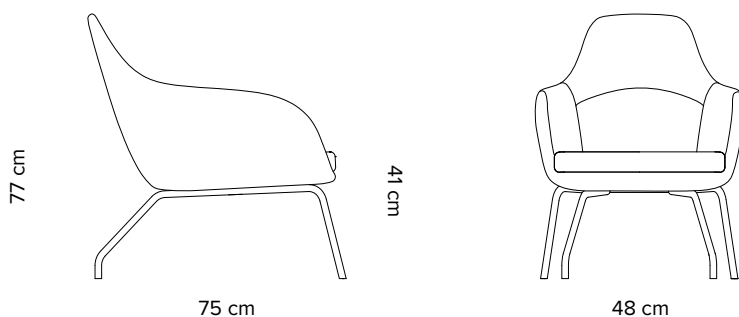
Asger



Type	Lounge chair
Dimensions	H: 77 cm, W: 48 cm, D: 75 cm Seat height: 41 cm Seat depth: 46 cm
Legs	Black powder coated steel or brushed stainless steel
Upholstery	Cast MDI. Down top seat. Super-soft foam as lower back support.
Cover	Not all types of leather or fabric are suitable for Asento. Please, contact us for special requests.

	Black powder coated legs	Brushed stainless legs
<b>Fabric:</b>		
Advantage	1634	1675
Blazer	1707	1742
Fiord	1814	1850
Rime	1913	1948
Steelcut	1862	1905
Hallingdal	1873	1913
Capture	1801	1833
Breeze Fusion	1938	2006
<b>Leather:</b>		
Zenzo 2	2034	2062
Adrian	2178	2226
Ranchero colour: Dark-Grey, Whisky, Nuss, Kastanie, Kakao, Schwarz Davos	2414	2456

Asento



# Button-Up

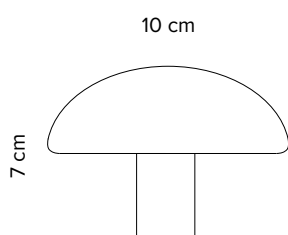
Design: Bent Hansen Studio

Type	Coat hook
Cover	Leather
Spacer	Aluminum
Dimensions	H: 7 cm, diameter 10 cm

Leather / Black	44
Leather / Cognac	44
Leather / Nature	44

Are you interested in Button-Up in another material? Please contact us for quote.

## Button-Up

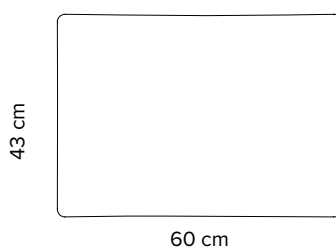




---

Type	Cushion
Dimensions	43 cm x 60 cm
Filling	Poly-down
Cover	Four different colours in the fabric Corrosion by Camira:  Cor 1 Cor 4 Cor 5 Cor 6

**Cor**



# Cushions - see prices p. 15

Page 10-14 show which cushions are available for your chair. Is your chair not on the list, we can custom make a cushion for you. A one-of surcharge for the model work will be charged.

Model	Manufacturer	Cushions in stock	Custom-made cushions		
		only for selected models	8 mm thick	17 mm thick	30 mm thick
2D	Gubi		Price gr. C	Price gr. D	
3D	Andersen		Price gr. C	Price gr. D	
4-Cast Line	Four Design		Price gr. C	Price gr. D	
13eighty Chair	Hay		Price gr. C	Price gr. D	
40/4	Howe		Price gr. C	Price gr. D	
3101	Fritz Hansen	Price gr. A	Price gr. C	Price gr. D	
3107	Fritz Hansen	Price gr. A	Price gr. C	Price gr. D	
3107 Junior	Fritz Hansen		Price gr. C	Price gr. D	
3108	Fritz Hansen		Price gr. C	Price gr. D	
3110	Fritz Hansen	Price gr. A	Price gr. C	Price gr. D	Price gr. E
AAC12	Hay		Price gr. C	Price gr. D	
AAC22	Hay	Price gr. A	Price gr. C	Price gr. D	
AAS32	Hay		Price gr. C	Price gr. D	
AAVA	Arper		Price gr. C	Price gr. D	
Acapulco	Officina Kreativa				Price gr. E
Agitari	Fredericia		Price gr. C	Price gr. D	
Arco	Vizion Furniture		Price gr. C	Price gr. D	
Avanti	Danerka		Price gr. C	Price gr. D	
Babila 2755	Pedrali		Price gr. C	Price gr. D	
Beetle Chair	Gubi		Price gr. C	Price gr. D	
Belleville	Vitra		Price gr. C	Price gr. D	
Bilbao	Bernstoffsminde		Price gr. C	Price gr. D	Price gr. E
BM 1	Bernstoffsminde				Price gr. E
BM 2	Bernstoffsminde				Price gr. F
BM 400 Kirkestol	Bernstoffsminde				Price gr. E
BM 460 Kirkestol m. arm	Bernstoffsminde				Price gr. E
BM 61	Bernstoffsminde				
BM 86	Bernstoffsminde				Price gr. E
BM 87	Bernstoffsminde				Price gr. E
Bonn	Tangsø		Price gr. C	Price gr. D	
Campus	Lammhults		Price gr. C	Price gr. D	
Catifa 46	Arper		Price gr. C	Price gr. D	
Catifa 53	Arper		Price gr. C	Price gr. D	
CH 18A	Carl Hansen				Price gr. F
CH 22	Carl Hansen				Price gr. F
CH 23	Carl Hansen				Price gr. E
CH 24	Carl Hansen	Price gr. B	Price gr. C	Price gr. D	Price gr. E
CH 25	Carl Hansen				Price gr. E
CH 26	Carl Hansen				Price gr. E
CH 28	Carl Hansen		Price gr. C	Price gr. D	Price gr. F
CH 29	Carl Hansen		Price gr. C	Price gr. D	Price gr. E
CH 33	Carl Hansen		Price gr. C	Price gr. D	

# Cushions - see prices p. 15

Page 10-14 show which cushions are available for your chair. Is your chair not on the list, we can custom make a cushion for you. A one-of surcharge for the model work will be charged.

Model	Manufacturer	Cushions in stock	Custom-made cushions		
		only for selected models	8 mm thick	17 mm thick	30 mm thick
CH 36	Carl Hansen				Price gr. F
CH 37	Carl Hansen				Price gr. E
CH 44	Carl Hansen	Contact us for quote			
CH 46	Carl Hansen				Price gr. E
CH 47	Carl Hansen				Price gr. E
CH 53	Carl Hansen				Price gr. E
CH 88	Carl Hansen		Price gr. C	Price gr. D	
Chair 69	Artek		Price gr. C	Price gr. D	
Chair First	Magis		Price gr. C	Price gr. D	
Chair One	Magis		Price gr. C	Price gr. D	
Chairik	Engelbrecht		Price gr. C	Price gr. D	
Cirkum	Radius		Price gr. C	Price gr. D	
Classic	Danerka		Price gr. C	Price gr. D	
Cobra	Kallemoe		Price gr. C	Price gr. D	
Componibili Ø30	Kartell		Price gr. C	Price gr. D	
Componibili Ø40	Kartell		Price gr. C	Price gr. D	
Copenhagen Chair	Hay		Price gr. C	Price gr. D	
Cyborg	Magis		Price gr. C	Price gr. D	
Dalarö	Art Form				Price gr. E
DAR	Vitra	Price gr. A	Price gr. C	Price gr. D	Price gr. E
DAW	Vitra	Price gr. A	Price gr. C	Price gr. D	Price gr. E
DAX	Vitra	Price gr. A	Price gr. C	Price gr. D	Price gr. E
Daydream	Andersen		Price gr. C	Price gr. D	
Dr. No	Kartell		Price gr. C	Price gr. D	Price gr. E
DSR	Vitra	Price gr. A	Price gr. C	Price gr. D	Price gr. E
DSS-N	Vitra	Price gr. A	Price gr. C	Price gr. D	Price gr. E
DSW	Vitra	Price gr. A	Price gr. C	Price gr. D	Price gr. E
Eros	Kartell		Price gr. C	Price gr. D	
Excelsa 9050	Stolab		Price gr. C	Price gr. D	
Face	Kristalia		Price gr. C	Price gr. D	
Fiber Arm Chair	Muuto	Price gr. A	Price gr. C	Price gr. D	
Fiber Side Chair	Muuto		Price gr. C	Price gr. D	
Flow Chair	Mdf Italia		Price gr. C	Price gr. D	
Fly	Danerka		Price gr. C	Price gr. D	
Forest	Fastdesign		Price gr. C	Price gr. D	Price gr. E
Form Chair	Normann Cph		Price gr. C	Price gr. D	
FourMe 44	Four Design		Price gr. C	Price gr. D	
FourSure 44	Four Design		Price gr. C	Price gr. D	
Getama 9871	Getama		Price gr. C	Price gr. D	
Gio	Bon Tempi		Price gr. C	Price gr. D	

# Cushions - see prices p. 15

Page 10-14 show which cushions are available for your chair. Is your chair not on the list, we can custom make a cushion for you. A one-of surcharge for the model work will be charged.

Model	Manufacturer	Cushions in stock	Custom-made cushions		
		only for selected models	8 mm thick	17 mm thick	30 mm thick
Gliss	Andersen		Price gr. C	Prisgr. D	
Grand Prix	Fritz Hansen		Price gr. C	Prisgr. D	
Groovy	Holmrís B8		Price gr. C	Prisgr. D	
HAL	Vitra		Price gr. C	Prisgr. D	
Hee Bar Stool	Hay		Price gr. C	Prisgr. D	
Hee Dining Chair	Hay		Price gr. C	Prisgr. D	
Ice	Fritz Hansen		Price gr. C	Prisgr. D	
Imprint	Lammhults		Price gr. C	Prisgr. D	
In Between	&Tradition		Price gr. C	Prisgr. D	
J16	Fredericia	Contact us for quote			
J39	Fredericia				Price gr. E
J46	Fredericia		Price gr. C	Price gr. D	
J49	FDB		Price gr. C	Price gr. D	
J64	Fredericia		Price gr. C	Price gr. D	
J77	Hay		Price gr. C	Price gr. D	
J104	Hay		Price gr. C	Price gr. D	
J110	Hay		Price gr. C	Price gr. D	
J151	Erik Jørgensen				Price gr. E
Jackpot	Danerka		Price gr. C	Price gr. D	
JLM 62	N. O. Møller				Price gr. E
JLM 67	N. O. Møller				Price gr. E
JLM 71	N. O. Møller				Price gr. E
JLM 75	N. O. Møller				Price gr. E
JLM 78	N. O. Møller				Price gr. E
JLM 79	N. O. Møller				Price gr. E
JLM 84	N. O. Møller				Price gr. E
JLM 85	N. O. Møller		Price gr. C	Price gr. D	
JW01	Hay		Price gr. C	Price gr. D	
K818	Erik Magnussen		Price gr. C	Price gr. D	
Kevi 2003	Engelbrechts		Price gr. C	Price gr. D	
Leopard	Naver		Price gr. C	Price gr. D	
Lilla Åland	Stolab		Price gr. C	Price gr. D	
Lilla Åland karmstol	Stolab		Price gr. C	Price gr. D	
Log	Rumas		Price gr. C	Price gr. D	
Loop	Infiniti		Price gr. C	Price gr. D	
Louis Ghost	Kartell		Price gr. C	Price gr. D	
Masters	Kartell	Price gr. A	Price gr. C	Price gr. D	
Maui	Kartell		Price gr. C	Price gr. D	
Minsker	Danerka		Price gr. C	Price gr. D	
Miss Holly	Stolab		Price gr. C	Price gr. D	
Must	Radius		Price gr. C	Price gr. D	

# Cushions - see prices p. 15

Page 10-14 show which cushions are available for your chair. Is your chair not on the list, we can custom make a cushion for you. A one-of surcharge for the model work will be charged.

Model	Manufacturer	Cushions in stock	Custom-made cushions		
		only for selected models	8 mm thick	17 mm thick	30 mm thick
Mya	Andersen		Price gr. C	Price gr. D	
Nap	Fritz Hansen		Price gr. C	Price gr. D	
Nemea 2820	Pedrali		Price gr. C	Price gr. D	
Neu Chair	Hay		Price gr. C	Price gr. D	
Noor	RBM / Flokk		Price gr. C	Price gr. D	
Ocean	Skagerak		Price gr. C	Price gr. D	
Ola	Boss design		Price gr. C	Price gr. D	
Olivia	Rexite		Price gr. C	Price gr. D	
Orbit	Danerka		Price gr. C	Price gr. D	
PACC	Vitra	Price gr. A	Price gr. C	Price gr. D	
Panton Chair (dining)	Vitra		Price gr. C	Price gr. D	
Panton One	Montana		Price gr. C	Price gr. D	
Papyrus	Kartell		Price gr. C	Price gr. D	
Pato	Fredericia		Price gr. C	Price gr. D	
Pause	Magnus Olesen		Price gr. C	Price gr. D	
Pia Chair	dk3		Price gr. C	Price gr. D	Price gr. E
Pila	Magis		Price gr. C	Price gr. D	Price gr. E
Pipe	Magis		Price gr. C	Price gr. D	
PK8	Fritz Hansen		Price gr. C	Price gr. D	
PP 56	PP Møbler				Price gr. F
PP 62	PP Møbler				Price gr. F
PP 63	PP Møbler				Price gr. F
PP 66	PP Møbler				Price gr. F
PP 68	PP Møbler				Price gr. E
PP 112	PP Møbler				Price gr. F
PP 201	PP Møbler				Price gr. F
PP 205	PP Møbler				Price gr. F
PP 209	PP Møbler				Price gr. F
PP 501	PP Møbler				Price gr. F
PP 503	PP Møbler				Price gr. F
PP 550	PP Møbler				Price gr. F
Puma	Kallemoe		Price gr. C	Price gr. D	
Rail	Radius		Price gr. C	Price gr. D	
Rap	Colico		Price gr. C	Price gr. D	
RAR	Vitra	Price gr. A	Price gr. C	Price gr. D	Price gr. E
Rin	Fritz Hansen		Price gr. C	Price gr. D	
Rondo	Danerka		Price gr. C	Price gr. D	
Sadelöga	Art Form				Price gr. E
Scandia Junior	Fjord Fiesta		Price gr. C	Price gr. D	
Scandia Senior	Fjord Fiesta		Price gr. C	Price gr. D	
Soft Edge 10	Hay		Price gr. C	Price gr. D	

# Cushions - see prices p. 15

Page 10-14 show which cushions are available for your chair. Is your chair not on the list, we can custom make a cushion for you. A one-of surcharge for the model work will be charged.

Model	Manufacturer	Cushions in stock	Custom-made cushions		
		only for selected models	8 mm thick	17 mm thick	30 mm thick
Soft Edge 30	Hay		Price gr. C	Price gr. D	
Spira	Lammhults		Price gr. C	Price gr. D	
Steelwood	Magis		Price gr. C	Price gr. D	
Søborg	Fredericia		Price gr. C	Price gr. D	
Tango	Cube		Price gr. C	Price gr. D	
Tempa	Fredericia		Price gr. C	Price gr. D	
Thonet 215 R	Thonet		Price gr. C	Price gr. D	Price gr. E
Thonet S43	Thonet		Price gr. C	Price gr. D	
Tolix A	Tolix		Price gr. C	Price gr. D	
Tolix Stool	Tolix		Price gr. C	Price gr. D	
Tonje	Tonning & Stryn		Price gr. C	Price gr. D	
Trend	Andersen		Price gr. C	Price gr. D	
Trinidad	Fredericia	Price gr. A	Price gr. C	Price gr. D	Price gr. E
Vang	Tonning & Stryn		Price gr. C	Price gr. D	
Vico Duo	Fritz Hansen		Price gr. C	Price gr. D	
Victoria Ghost	Kartell		Price gr. C	Price gr. D	
Visu Chair	Muuto		Price gr. C	Price gr. D	
Visu Lounge Chair	Muuto	Contact us for quote			
Whisper	Fumac		Price gr. C	Price gr. D	
Zentio	Andersen		Price gr. C	Price gr. D	
Ø 26 cm - 45,5 cm	Other		Price gr. C	Price gr. D	

# Cushion prices

Design: Bent Hansen Studio

## Cushions in stock

3101  
3107  
3110  
AAC22  
DAR/DAW/DAX/RAR/PACC  
DSR/DSS-N/DSW  
Fiber Arm Chair  
Masters  
Trinidad  
CH24

	Price gr. A	Price gr. B
<b>Leather:</b>	8 mm thick anti-slip underside	30 mm thick reversible
Basic, black or cognac	29	53
Zenso 2, 207 (black)		74
<b>Surcharge:</b>		
Buttons		47
Button stiches		22

## Custom-made cushions

Page 10-14 show which cushions are available for your chair. Is your chair not on the list, we can custom make a cushion for you. A one-of surcharge for the model work will be charged - prices listed below:

	Price gr. C	Price gr. D	Price gr. E	Price gr. F
<b>Fabric:</b>	8 mm thick anti-slip underside	17 mm thick anti-slip underside	30 mm thick reversible	30 mm thick reversible
Advantage	55	73	92	104
Blazer	64	82	109	126
Fiord	85	132	142	150
Rime	94	150	162	176
Steelcut	88	132	152	161
Hallingdal	88	132	152	161
<b>Leather:</b>				
Basic	70	98	123	137
Zenso 2 all colours	87	110	161	173
Adrian	109	141	182	196
Davos Ranchero*	153	194	220	241
*colour: Dark-Grey, Whisky, Nuss, Kastanie, Kakao, Schwarz				
<b>Surcharge:</b>				
Buttons			47	47
Button stiches			incl. in price	incl. in price
Model work	142	142	142	142

Do you want your cushions in another material than the ones mentioned above? Please, contact us for quote.

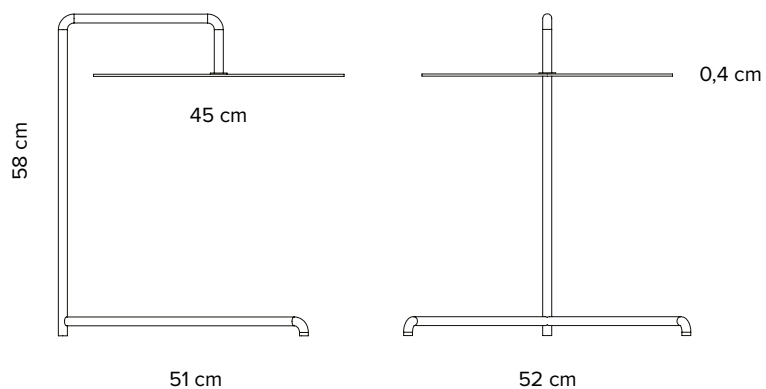
Type	Side table
Dimensions	H: 58 cm, W: 52 cm, D: 51 cm, diameter table top: 45 cm, table top: 0,4 cm
Table top	Black textured coated aluminium
Table legs	Black textured coated steel

## Table top:

Black

270

## Cymbal





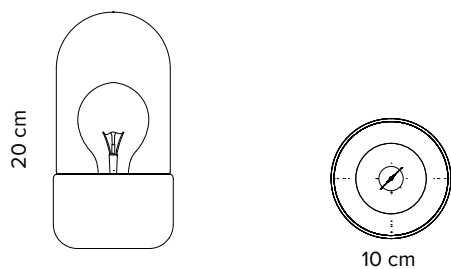
# Element Lamp

Design: Ditte Buus Nielsen

Type	Table Lamp, wall mounted lamp and pendant lamp in one Kit for pendant is sold separately Light bulb not included
Dimensions	H: 20 cm, diameter: 10 cm
Socket / max watt	E27 / 4W LED
Variants	Blue or green
Materiale	Stained beech base. Glass dome.

Blue	135
Green	135
<b>Surcharge</b>	
Pendant kit	33

Element Lamp



# Full-cover

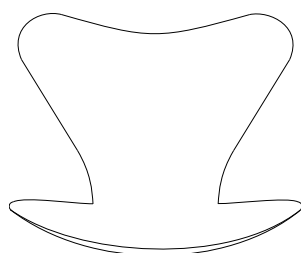
Design: Bent Hansen Studio

Type	Full-cover with 20 mm cold foam or cotton wool core depending on model
Variants	Available in fabric or leather
Models	Available for the chairs listed below:

Manufacturer	Model
Arper	Catifa 46
Fritz Hansen	3101 - on request
	3107
	Vico Duo
Vitra	DSR

Fabric:	
Advantage	193
Blazer	220
Fiord	281
Rime	331
Steelcut	308
Hallingdal	314
Leather:	
Zenzo 2 black	(only for 3107) 209
Zenzo 2 other colours	351
Adrian	401
Davos Ranchero colour: Dark-Grey, Whisky, Nuss, Kastanie, Kakao, Schwarz	479

## Full-cover 3107



# Hang-Up

Design: Bent Hansen Studio

---

Type	Hat and coat stand
Variants	White or black powder coated steel trunk. All Button-Ups can be mounted on Hang-Up, see selection on page 8.
Dimensions	H: 177 cm, diameter 39 cm

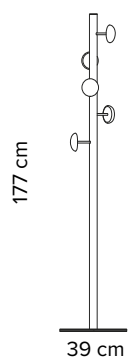
---

Hang-Up with 5 Button-Up coat hooks, see selection on page 8

487

---

Hang-Up



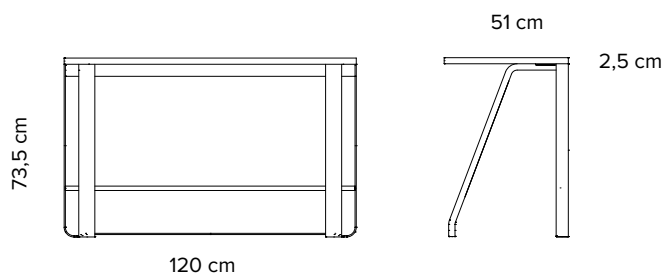
Type	Desk (wireless Qi charger for smartphones temporarily unavailable).	
Dimensions	H: 73,5 cm, L: 120 cm, W: 51 cm, table top: 2,5 cm	
Variants	<b>Oak/Oak:</b>	Table top in oiled oak veneer with edge list in oiled oak. Matt lacquered oak legs. Black powder coated steel trestle.
	<b>Black/Black:</b>	Table top in black linoleum with edge list in black ABS. Matt black lacquered beech legs. Black powder coated steel trestle.
	<b>Oak/Black:</b>	Table top in black linoleum with edge list in oiled oak. Matt lacquered oak legs. Black powder coated steel trestle.
	<b>Oak/Blue</b>	Table top in blue linoleum (smokey blue) with edge list in oiled oak. Matt lacquered oak legs. Black powder coated steel trestle.
	<b>Oak/Green</b>	Table top in green linoleum (conifer green) with edge list in oiled oak. Matt lacquered oak legs. Black powder coated steel trestle.
	<b>Black/Blue</b>	Table top in blue linoleum (smokey blue) with edge list in black ABS. Matt black lacquered beech legs. Black powder coated steel trestle.
	<b>Black/Green</b>	Table top in green linoleum (conifer green) with edge list in black ABS. Matt black lacquered beech legs. Black powder coated steel trestle.

Oak/Oak	627
Black/Black	627
Oak/Black	683
Oak/Blue	683
Oak/Green	683
Black/Blue	627
Black/Green	627

**Surcharge:**

Drawer	105
Power socket incl. USB-A and USB-C	75

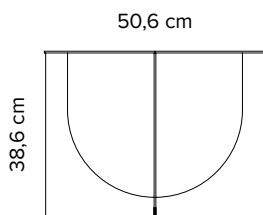
**Hemingway**



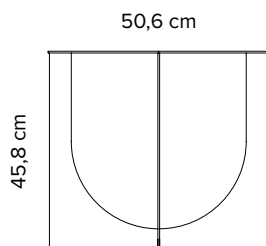
Type	Coffee table
Dimensions Inverse small	H: 38,6 cm, diameter: 50,6 cm
Dimensions Inverse medium	H: 45,8 cm, diameter: 50,6 cm
Table top	Black textured coated steel
Legs	Black textured coated steel

Inverse small V1	304
Inverse medium V1	316

**Inverse small V1**



**Inverse medium V1**



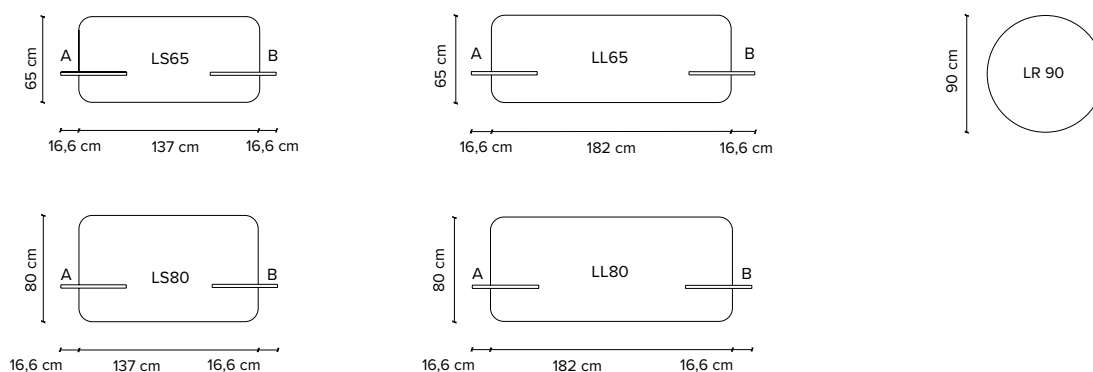
Type Wall-mounted MDF boards upholstered with cold foam and textile  
Shelf in oiled, solid oak

Variants 5 different sizes. The boards can overlap as shown below - requires separately sold fittings.

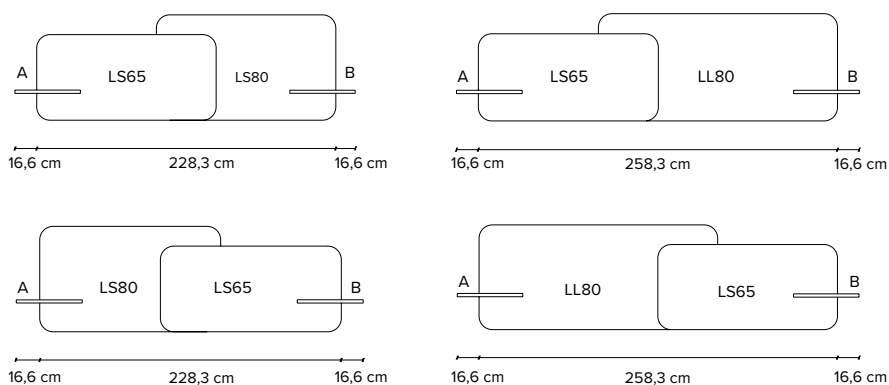
Boards:	Dimensions in cm	Blazer fabric
Board LS65	65 x 137	440
Board LS80	80 x 137	479
Board LL65	65 x 182	503
Board LL80	80 x 182	528
Board LR90	Ø 90	457
<b>Surcharge</b>		
Shelf	20 x 50	47
Fittings for overlapping boards		85

Do you want Layer It in a different material? Please, contact us for quote.

### Board-variants



### Overlapping boards



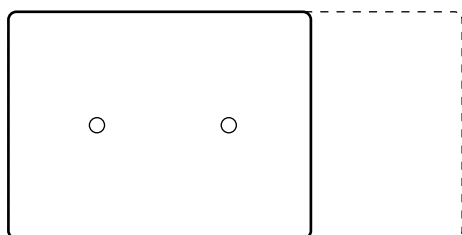
# Luxury cushion

Design: Bent Hansen Studio

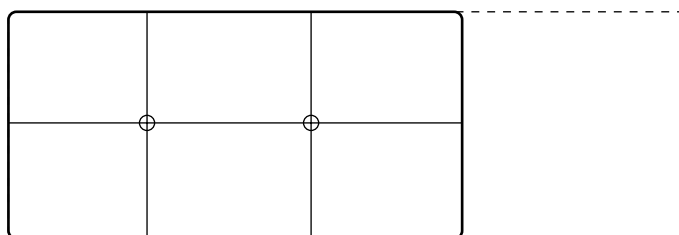
Type Cushions in fabric or leather. 40 mm cold foam core  
 Variants With or without buttons and squares\*  
 Models The cushions can be made according to your specifications

	Fabric						Leather			
	Advantage	Blazer	Fiord	Rime	Steelcut	Hallingdal	Zenzo 2 Colour: 207 (black)	Zenzo 2 Colour: 211, 233, 231, 286, 293, 295	Adrian	Davos Ranchero Colour: Dark-Grey, Whisky, Nuss, Kastanie, Kakao, Schwarz
<b>Cm:</b>										
<b>40 x 40 - 60</b>	306	331	368	400	385	391	360	396	429	472
<b>40 x 61 - 80</b>	382	396	429	458	440	445	463	507	551	603
<b>40 x 81 - 100</b>	426	440	481	514	501	505	528	584	635	703
<b>40 x 101 - 120</b>	495	516	551	584	566	571	605	690	749	826
<b>40 x 121 - 140</b>	540	595	682	760	726	732	658	735	802	881
<b>40 x 141 - 160</b>	642	705	801	896	848	858	771	859	936	1041
<b>40 x 161 - 180</b>	661	736	844	942	899	904	809	908	992	1101
<b>40 x 181 - 200</b>	798	880	992	1101	1057	1068	958	1068	1162	1288
<b>40 x 201 - 220</b>	865	952	1080	1202	1148	1157	1039	1157	1261	1400
<b>40 x 221 - 240</b>	881	980	1125	1256	1201	1208	1075	1204	1318	1473
<b>60 x 41 - 60</b>	350	375	413	440	435	439	439	487	537	591
<b>60 x 61 - 80</b>	400	435	483	528	507	514	514	578	633	710
<b>60 x 81 - 100</b>	439	480	512	551	533	539	589	661	736	826
<b>60 x 101 - 120</b>	479	514	551	605	587	593	661	749	831	936
<b>60 x 121 - 140</b>	551	609	691	771	736	742	735	843	936	1061
<b>60 x 141 - 160</b>	656	720	815	907	866	874	864	986	1090	1232
<b>60 x 161 - 180</b>	721	793	904	992	957	965	952	1087	1206	1363
<b>60 x 181 - 200</b>	793	874	992	1101	1054	1061	1046	1201	1322	1502
<b>60 x 201 - 220</b>	866	953	1084	1205	1152	1161	1142	1307	1450	1639
<b>60 x 221 - 240</b>	931	1024	1169	1300	1242	1251	1232	1409	1565	1772
<b>Surcharge*</b>										
Squares	30% of the cushion's price									
Buttons	incl. in price									

Do you want your cushions in another material? Please, contact us for quote.



With or without buttons

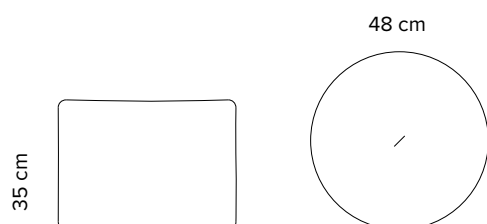


With or without squares

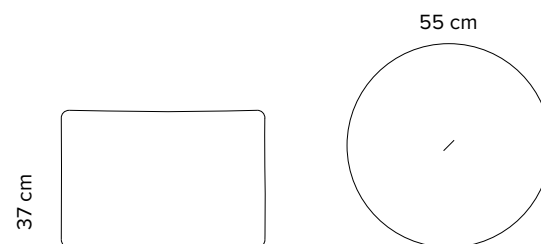
Type	Round pouffe with a small rubber band mounted on the top
Variants	<b>M48:</b> H: 35 cm, diameter 48 cm <b>M55:</b> H: 37 cm, diameter 55 cm
Filling	Polystyrene foam beads
Cover	Not all types of fabric or leather are suitable for Marokko. Please, contact us for special requests.

	M48	M55
<b>Fabric:</b>		
Advantage	183	226
Blazer	224	271
Fiord	277	333
Rime	317	378
Vegas	317	378
Steelcut	317	378
Hallingdal	303	368
<b>Leather:</b>		
Zenso 2 colour: 207 (black)	312	395
Zenso 2 colour: 211, 223, 231, 286, 293, 295	435	529
Adrian	529	644
Davos Ranchero colour: Dark-Grey, Whisky, Nuss, Kastanie, Kakao, Schwarz	644	791
<b>Surcharge</b>		
Button diameter 4 cm in same colour and material	27	27
Polystyrene foam beads refilling	21	21

M48



M55





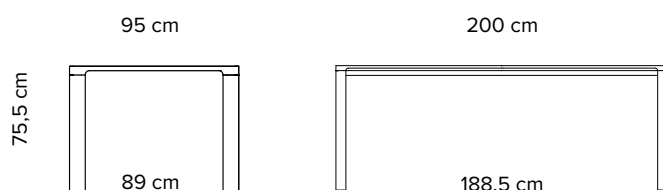
# Meet Table

Design: Says Who

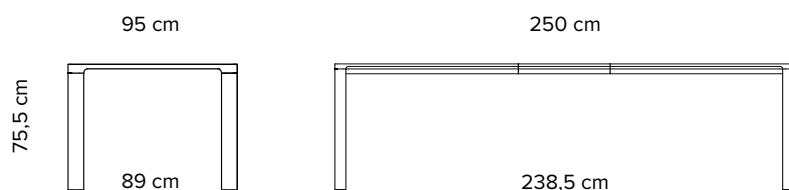
Type	Table w/ or w/o extension
Dimensions	H: 75,5 cm, L: 200 cm, W: 95 cm, extension leaf: 50 cm, table top: 1,5 cm Distance from floor to frame: 69,5 cm Distance between table legs (floor level), 0 extension leaves: 188,5 cm / 89 cm Distance between table legs (floor level), 1 extension leaf: 238,5 cm / 89 cm Distance between table legs (floor level), 2 extension leaves: 288,5 cm / 89 cm
Table top	Solid oak, oiled Black laminate on MDF board with oiled, solid oak edges
Extension leaf	Black laminate on MDF board with oiled, solid oak edges
Legs	Black textured coated steel

	w/o extension	w/ two extension leaves
Black laminate with oak edges	2280	3175
Matt lacquered oak	2425	3438

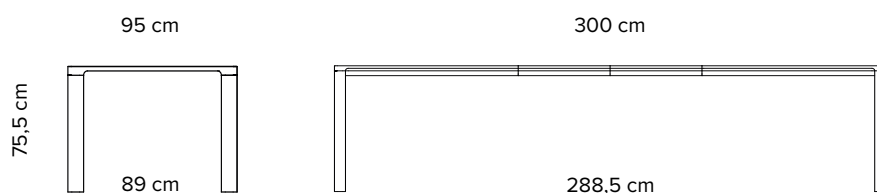
## Meet Table, 0 extension leaves



## Meet Table, 1 extension leaf



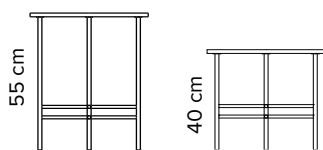
## Meet Table, 2 extension leaves



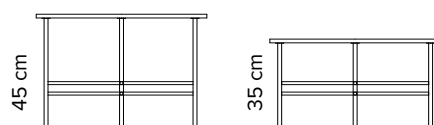
Type	Coffee table	
Variants	Diameter: 45 cm, H: 40 cm, table top: 0,7 cm	
	Diameter: 45 cm, H: 55 cm, table top: 0,7 cm	
	Diameter: 55 cm, H: 40 cm, table top: 0,7 cm	
	Diameter: 55 cm, H: 50 cm, table top: 0,7 cm	
	Diameter: 65 cm, H: 35 cm, table top: 0,7 cm	
	Diameter: 65 cm, H: 45 cm, table top: 0,7 cm	
	Diameter: 80 cm, H: 35 cm, table top: 0,7 cm	
	Diameter: 80 cm, H: 45 cm, table top: 0,7 cm	
	B: 55 cm, L: 108 cm, H: 40 cm, table top: 0,9 cm	
Table top	Linoleum:	Laminate:
	4179 Smokey Blue 4132 Ash 4174 Conifer 4184 Olive 4154 Burgundy	0720 Nero Ingo 0752 Grigio Antrim 0724 Grigio Bromo
Table legs	Dark grey powder-coated steel	

Diameter: 45 cm, H: 40 cm / 55 cm	344
Diameter: 55 cm, H: 40 cm / 50 cm	379
Diameter: 65 cm, H: 35 cm / 45 cm	440
Diameter: 80 cm, H: 35 cm / 45 cm	516
W: 55 cm, L: 108 cm, H: 40 cm	571

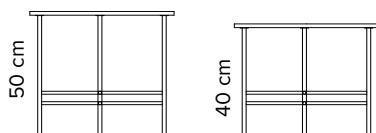
**Diameter: 45 cm**



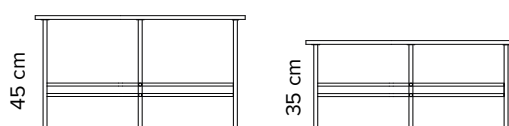
**Diameter: 65 cm**



**Diameter: 55 cm**



**Diameter: 80 cm**



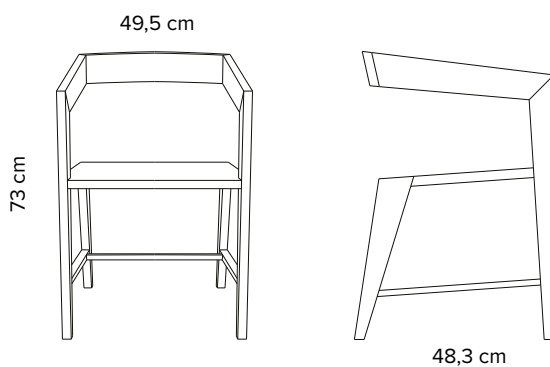
**L: 108 cm**



Type	Wooden chair
Dimensions	H: 73 cm, W: 49,5 cm, D: 48,3 cm Seat height: 43,5 cm Seat depth: 43,6 cm Seat width: 49 cm Arm rest height: 69 cm (measured 18 cm from front edge)
Variants	Oiled oak Walnut Black painted beech
Glides	With or without felt (both type of glides are included)

Black painted beech	472
Oiled oak	539
Walnut	645

## Momento



# NO. 9 Floral

Design: Bent Hansen Studio

---

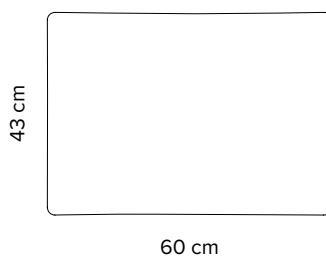
Type	Cushion
Variants	3 colours in velvet fabric Acanthus from Morris & Co.  Mustard Charcoal Thyme
Filling	Poly-down
Dimensions	43 cm x 60 cm

---

No. 9 Floral

77

**NO. 9 Floral cushion**



Type	Square pouffe with a small rubber band mounted on the top
Dimensions	40 cm x 40 cm x 40 cm
Filling	Polystyrene foam beads
Cover	Not all types of fabric or leather are suitable for Otto. Please contact us for special requests.

## Fabric:

Advantage	164
Blazer	209
Fiord	252
Rime	298
Vegas	298
Steelcut	298
Hallingdal	285
Cassia	205

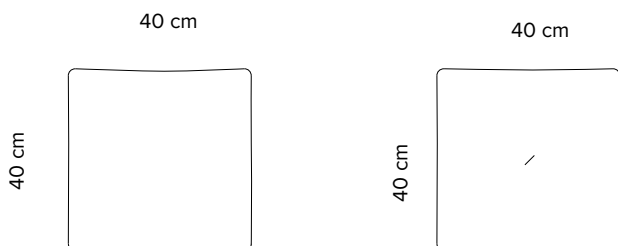
## Leather:

Zenso 2 colour: 207 (black)	220
Zenso 2 colour: 211, 223, 231, 286, 293, 295	294
Adrian	331
Davos Ranchero colour: Dark-Grey, Whisky, Nuss, Kastanie, Kakao, Schwarz	400

## Surcharge

Button diameter 4 cm in same colour and material	26
Polystyrene foam beads refilling	20

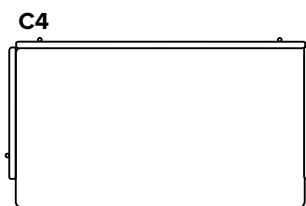
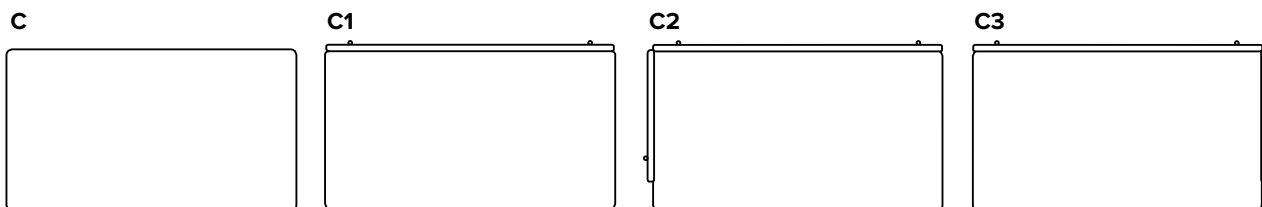
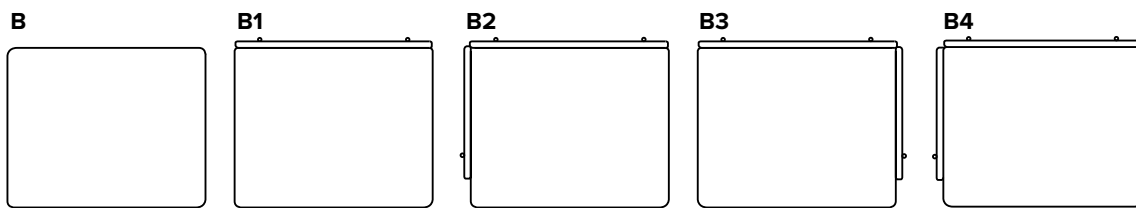
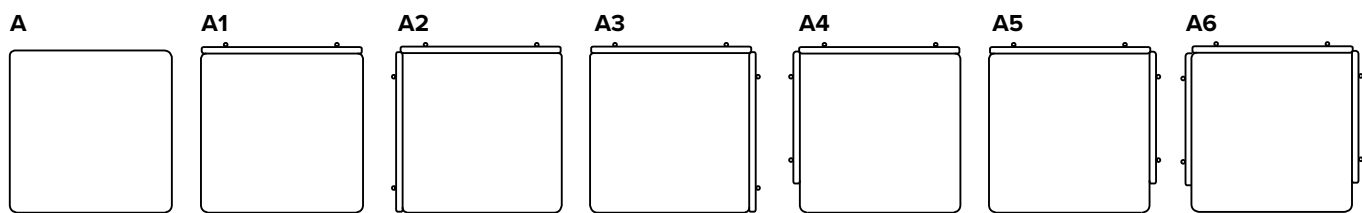
## Otto



# Pado 1

Design: Bent Hansen Studio

Type	Modular sofa. Find descriptions of the 17 different modules below.
Cushion	Back cushion H: 58 cm, W: 58 cm. Filling of ball fibres mixed with European duck feathers. A1, A2, A3, A4, A5 and A6 come with 1 back cushion. B1, B2, B3 and B4 come with 2 back cushions. C1, C2, C3 and C4 come with 3 back cushions. Extra back cushions are available for purchase.
Seat	Firm foam seat with down-filled top
Base	Black powder coated steel
Cover	Not all types of fabric or leather are suitable for Pado. Please contact us for special requests.



Modul name	Description
A	Module without back rest or arm rest
B	Chaise longue
C	
A1	Module with back rest
B1	Center modules
C1	
A2	Module with back rest at two sides
A3	Corners
A4	Module with back rest and arm rest
A5	End modules
B2	
B3	
C2	
C3	
A6	Module with back and arm rest at both ends.
B4	Lounge chair or 2 seater sofa
C4	

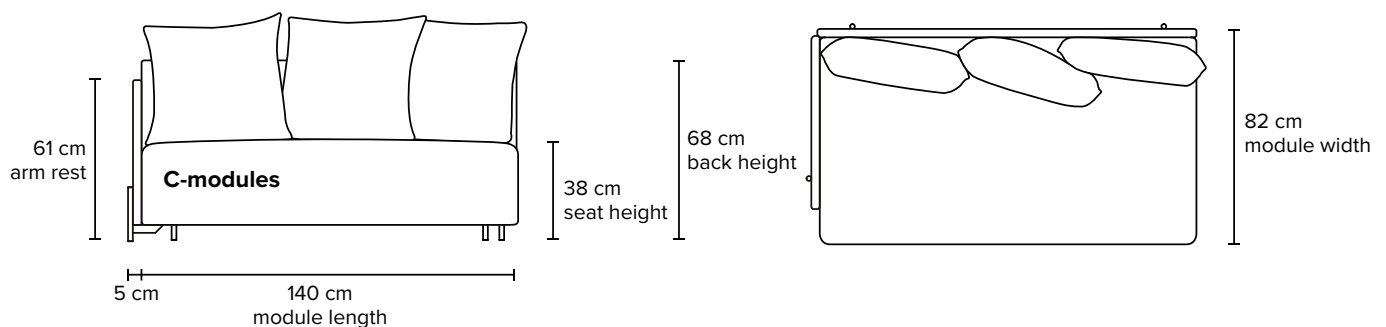
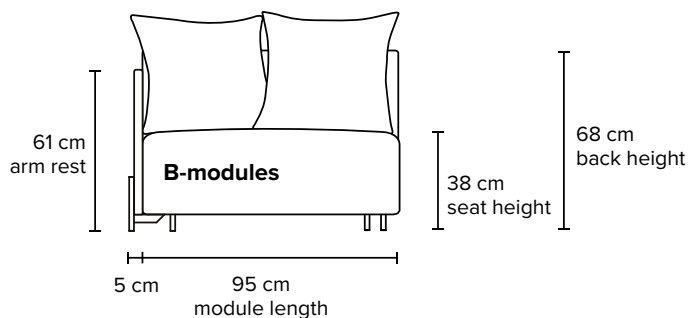
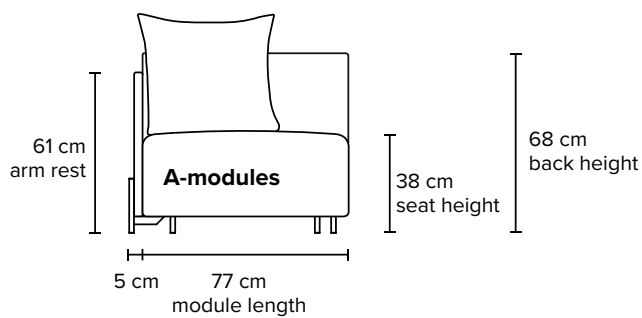
# Pado 1

Design: Bent Hansen Studio

	A	A1	A2 / A3	A4 / A5	A6	B	B1	B2 / B3	B4	C	C1	C2 / C3	C4	extra cushion
<b>Fabric:</b>														
Advantage	700	1377	1758	1670	1787	865	1598	2134	2283	976	1980	2175	2334	93
Blazer	755	1562	1917	1829	1956	926	1763	1947	2083	1074	2190	2406	2585	110
Cassia	807	1697	2071	1983	2121	988	2176	2134	2283	1166	2397	2631	2831	130
Fiord Eros Lazy	837	1763	2154	2066	2210	1021	2026	2244	2401	1212	2505	2756	2974	143
Rime	914	1968	2375	2287	2447	1102	2266	2509	2684	1355	2799	3081	3306	192
Steelcut	880	1873	2278	2190	2343	1073	2160	2390	2557	1293	2675	2937	3170	179
Hallingdal	881	1902	2294	2203	2358	1078	2026	2407	2576	1304	2689	2960	3190	182
Divina	992	2188	2623	2534	2713	1212	2532	2817	3015	1505	3126	3443	3721	221
Vegas	771	1603	1965	1873	2004	946	1822	2005	2146	1102	2253	2478	2662	149
<b>Leather:</b>														
Zenzo 2	988	1843	2395	2309	2539	1253	2452	2700	2970	1323	3023	3417	3788	181
Adrian	1080	2016	2611	2523	2775	1377	2732	3008	3309	1464	3365	3828	4253	205
Davos Ranchero*	1212	2230	2929	2842	3126	1558	3140	3468	3815	1634	3858	4409	4933	240

\*Colour: Dark-Grey, Whisky, Nuss, Kastanie, Kakao, Schwarz

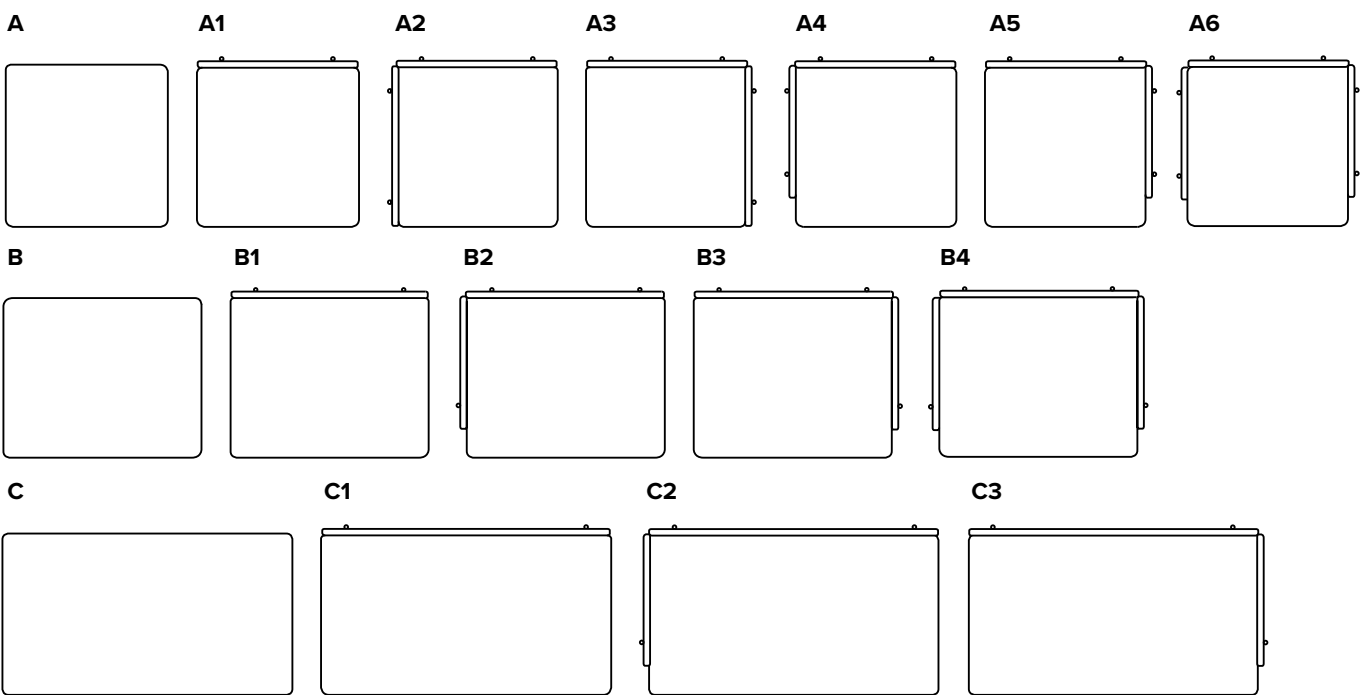
When ordering, please write the name of the modules and enclose a drawing of the assembled sofa.



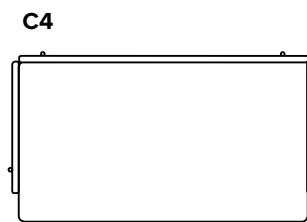
# Pado 2

Design: Bent Hansen Studio

Type	Modular sofa. Find descriptions of the 17 different modules below.
Seat	Firm foam seat with cotton fibre top
Base	Black powder coated steel
Cover	Not all types of fabric or leather are suitable for Pado. Please contact us for special requests.



Modul name	Description
A	Module without back rest or arm rest
B	Chaise longue
C	
A1	Module with back rest
B1	Center modules
C1	
A2	Module with back rest at two sides
A3	Corners
A4	Module with back rest and arm rest
A5	End modules
B2	
B3	
C2	
C3	
A6B4	Module with back and arm rest at both ends
C4	Lounge chair or 2 seater sofa

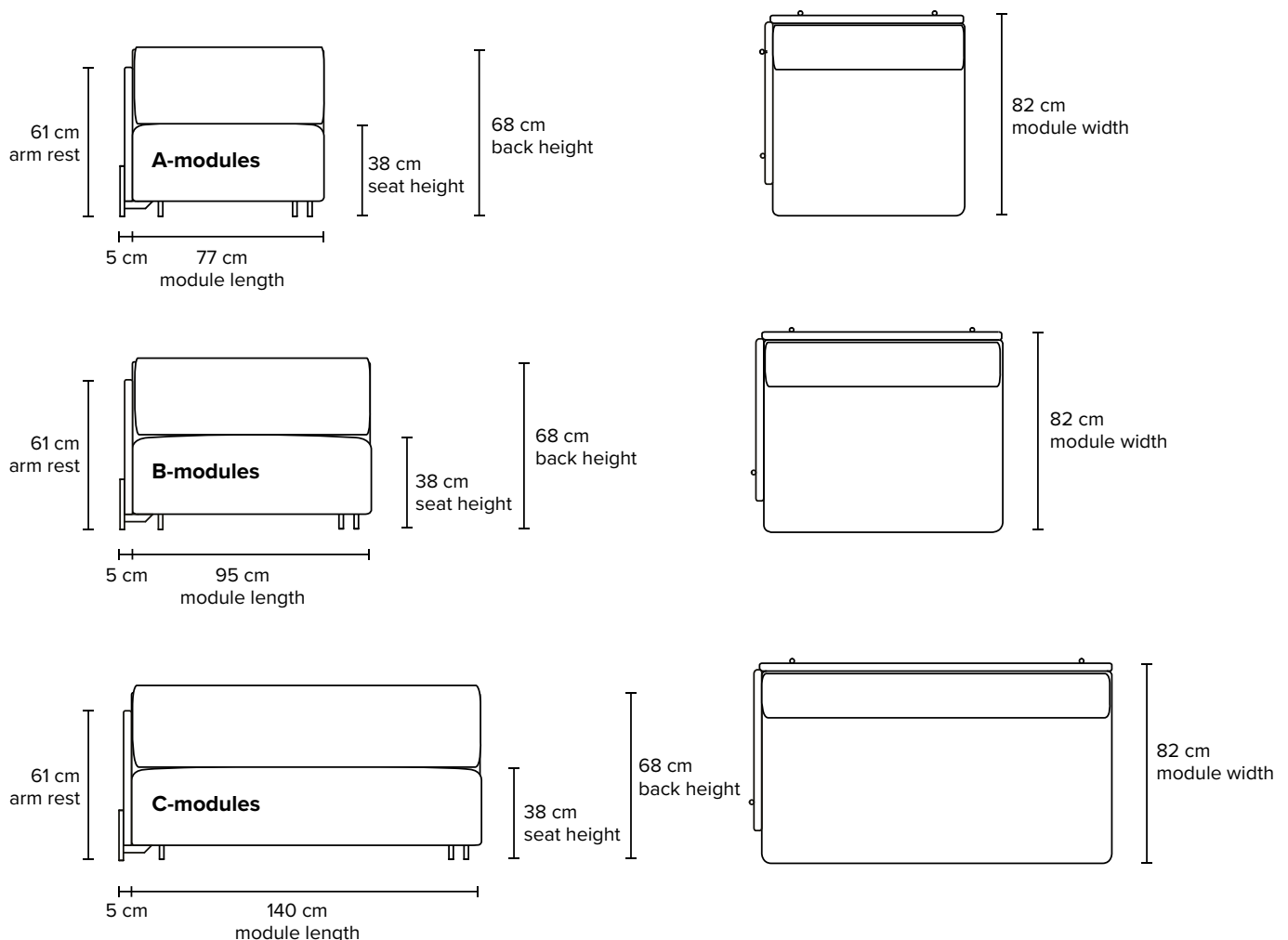




	A	A1	A2 / A3	A4 / A5	A6	B	B1	B2 / B3	B4	C	C1	C2 / C3	C4
<b>Fabric:</b>													
Advantage	700	1377	1758	1670	1787	865	1598	2134	2283	976	1980	2175	2334
Blazer	755	1562	1917	1829	1956	926	1763	1947	2083	1074	2190	2406	2585
Cassia	807	1697	2071	1983	2121	988	2176	2134	2283	1166	2397	2631	2831
Fiord Eros Lazy	837	1763	2154	2066	2210	1021	2026	2244	2401	1212	2505	2756	2974
Rime	914	1968	2375	2287	2447	1102	2266	2509	2684	1355	2799	3081	3306
Steelcut	880	1873	2278	2190	2343	1073	2160	2390	2557	1293	2675	2937	3170
Hallingdal	881	1902	2294	2203	2358	1078	2026	2407	2576	1304	2689	2960	3190
Divina	992	2188	2623	2534	2713	1212	2532	2817	3015	1505	3126	3443	3721
Vegas	771	1603	1965	1873	2004	946	1822	2005	2146	1102	2253	2478	2662
<b>Leather:</b>													
Zenzo 2	988	1843	2395	2309	2539	1253	2452	2700	2970	1323	3023	3417	3788
Adrian	1080	2016	2611	2523	2775	1377	2732	3008	3309	1464	3365	3828	4253
Davos Ranchero*	1212	2230	2929	2842	3126	1558	3140	3468	3815	1634	3858	4409	4933

\*Colour: Dark-Grey, Whisky, Nuss, Kastanie, Kakao, Schwarz

**When ordering, please write the name of the modules and enclose a drawing of the assembled sofa.**



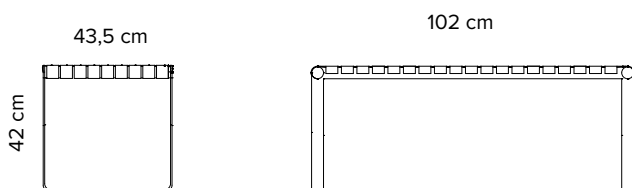
# Plaited

Design: Bent Hansen Studio

Type	Bench
Dimensions	H: 42 cm, W: 43,5 cm, L: 102 cm. Other lengths on request.
Webbing	Black nylon or grain leather in black or nature
Frame	Black powder coated steel

Black nylon	823
Grain leather	1347

## Plaited



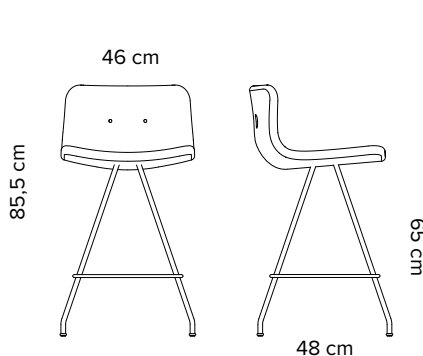
# Primum Bar Stool

Design: Bent Hansen Studio

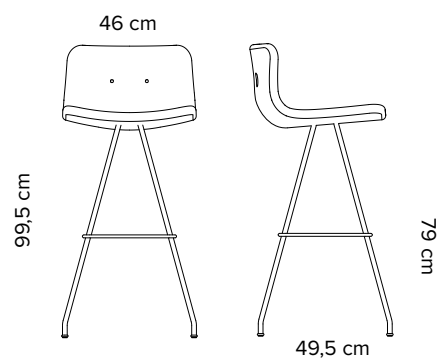
Type	Upholstered bar stool, fixed base
Dimensions Bar Stool Low	H: 85,5 cm, W: 46, D: 48 cm, seat height: 65 cm, seat depth: 38 cm
Dimensions Bar Stool High	H: 99,5 cm, W: 46, D: 49,5 cm, seat height: 79 cm, seat depth: 38 cm
Base	Black powder coated steel or brushed stainless steel.
Glides	Standard without felt. Felt glides available for 10 EUR per set. The customer will have to replace the glides himself.
Upholstery	Cold foam
Cover	Not all types of leather or fabric are suitable for Primum Bar Stool. Please contact us for special requests.

	Black base		Brushed stainless steel base	
	Low	High	Low	High
<b>Fabric:</b>				
Advantage	595	605	639	652
Blazer	625	637	661	682
Fiord	682	699	721	722
Rime	694	717	738	756
Eros	694	717	738	756
Steelcut	687	703	725	737
Hallingdal	687	703	725	737
Breeze Fusion	745	765	771	792
Capture	742	757	764	771
Re-wool	700	710	733	743
<b>Leather:</b>				
Zenso 2 colour: 207 (black), 223 (cognac)	705	717	737	749
Zenso 2 colour: 211, 231, 286, 293, 295	877	881	909	914
Adrian	799	810	788	793
Davos	918	936	952	966
<b>Surcharge</b>				
Flet glides	11	11	11	11
Buttons in other colours	58	58	58	58

Primum Bar Stool Low



Primum Bar Stool High



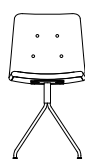
# Primum Chair fixed base and swivel base

Design: Bent Hansen Studio

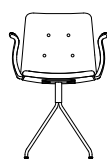
Type	Upholstered dining chair with or without arms
Dimensions	Dimensions depend on model. See below.
Base	Fixed base, regular base, swivel base or base w/ castors: black powder coated steel or brushed stainless steel. Regular base also available as stackable (max 6 chairs) - requires a protective foam block, see surcharge.
Glides	Standard without felt. Felt glides available for 10 EUR per set. The customer will have to replace the glides himself.
Upholstery	Cold foam
Cover	Not all types of leather or fabric are suitable for Primum Chair. Contact us for special requests.

	Fixed base				Swivel base			
	w/o armrest		w/ armrest		w/o armrest		w/ armrest	
	black	stainless	black	stainless	black	stainless	black	stainless
<b>Fabric:</b>								
Advantage	440	492	567	617	600	675	756	822
Blazer	458	513	611	649	617	682	771	836
Fiord	517	551	676	705	662	749	853	904
Rime	550	601	709	748	721	771	882	948
Eros	550	601	709	748	721	771	882	948
Steelcut	533	583	687	727	705	760	859	933
Hallingdal	533	583	687	727	705	760	859	933
Breeze Fusion	592	638	737	802	771	802	914	986
Capture	589	624	755	788	756	798	904	969
Re-wool	583	613	727	771	675	733	832	900
<b>Leather:</b>								
Zenzo 2 colour: 207 (black), 223 (cognac)	551	584	706	745	662	727	833	895
Zenzo 2 colour: 211, 231, 286, 293, 295	755	786	900	992	859	899	1085	1141
Adrian	636	656	802	823	710	766	874	929
Davos	787	826	934	968	882	958	1027	1054
<b>Surcharge</b>								
Felt glides	11	11	11	11	11	11	11	11
Buttons in other colours	58	58	58	58	58	58	58	58

## Primum Chair, fixed base



H: 80 cm  
D: 54 cm  
Seat height: 45 cm  
Seat depth: 44 cm  
Seat width: 44 cm  
Base width: 36 cm

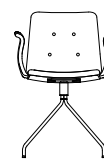


H: 80 cm  
D: 54 cm  
Seat height: 45 cm  
Seat depth: 44 cm  
Seat width: 44 cm  
Base width: 36 cm  
Arm rest height: 69 cm  
Arm rest to arm rest: 56 cm

## Primum Chair, swivel base



H: 80 cm  
D: 54 cm  
Seat height: 45 cm  
Seat depth: 44 cm  
Seat width: 44 cm  
Base width: 45 cm



H: 80 cm  
D: 54 cm  
Seat height: 45 cm  
Seat depth: 44 cm  
Seat width: 44 cm  
Base width: 45 cm  
Arm rest height: 69 cm  
Arm rest to arm rest: 56 cm

See prices on Primum Chair regular base and wheel base on next page.

# Primum Chair base w/ castors and regular base

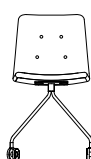
Design: Bent Hansen Studio

Type	Upholstered dining chair with or without arms
Dimensions	Dimensions depend on model. See below.
Base	Fixed base, regular base, swivel base or base w/ castors: black powder coated steel or brushed stainless steel. Regular base also available as stackable (max 6 chairs) - requires a protective foam block, see surcharge.
Glides	Standard without felt. Felt glides available for 10 EUR per set. The customer will have to replace the glides himself.
Upholstery	Cold foam
Cover	Not all types of leather or fabric are suitable for Primum Chair. Contact us for special requests.

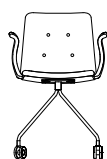
	Base w/ castors (not as swivel chair)				Regular base			
	w/o armrest		w/ armrest		w/o armrest		w/ armrest	
	Black	Stainless	Black	Stainless	Black	Stainless	Black	Stainless
<b>Fabric:</b>								
Advantage	549	605	687	754	502	569	647	710
Blazer	578	623	710	768	535	601	680	748
Fiord	661	726	826	895	572	650	733	802
Rime	687	759	865	920	629	705	790	852
Eros	687	759	865	920	629	705	790	852
Steelcut	676	741	842	902	613	676	770	831
Hallingdal	676	741	842	902	613	676	770	831
Breeze Fusion	730	791	901	968	658	727	818	882
Capture	703	771	881	958	644	705	797	870
Re-wool	638	716	791	871	622	687	771	851
<b>Leather:</b>								
Zenso 2 colour: 207 (black), 223 (cognac)	628	683	789	845	625	689	788	851
Zenso 2 colour: 211, 231, 286, 293, 295	802	877	1031	1077	802	879	962	1054
Adrian	687	745	847	910	733	801	980	1088
Davos	835	931	973	1076	859	933	1065	1109
<b>Surcharge</b>								
Felt glides	11	11	11	11	11	11	11	11
Buttons in other colours	58	58	58	58	58	58	58	58
Foam block for regular base					69	69	69	69

Should be mounted on the chair to protect the padding when stacking. Pressure marks when stacking on own responsibility.

Primum Chair, base w/ castors

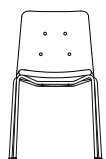


H: 80 cm  
D: 57,5 cm  
Seat height: 46 cm  
Seat depth: 44 cm  
Seat width: 44 cm  
Base width: 46 cm

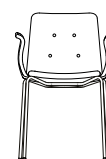


H: 80 cm  
D: 57,5 cm  
Seat height: 46 cm  
Seat depth: 44 cm  
Seat width: 44 cm  
Base width: 46 cm  
Arm rest height: 69 cm  
Arm rest to arm rest: 56 cm

Primum Chair, regular base



H: 80 cm  
D: 57 cm  
Seat height: 45 cm  
Seat depth: 44 cm  
Seat width: 44 cm  
Base width: 49 cm



H: 80 cm  
D: 57 cm  
Seat height: 45 cm  
Seat depth: 44 cm  
Seat width: 44 cm  
Base width: 49 cm  
Arm rest height: 69 cm  
Arm rest to arm rest: 56 cm

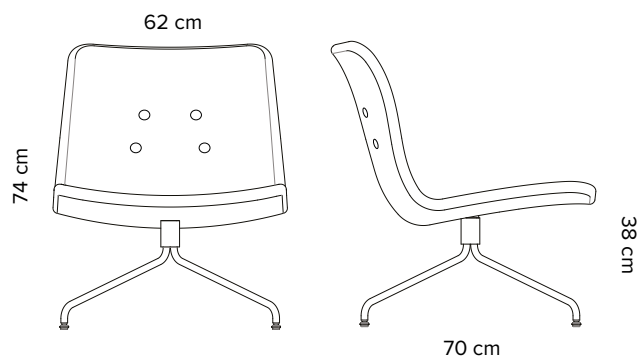
# Primum Lounge Chair

Design: Bent Hansen Studio

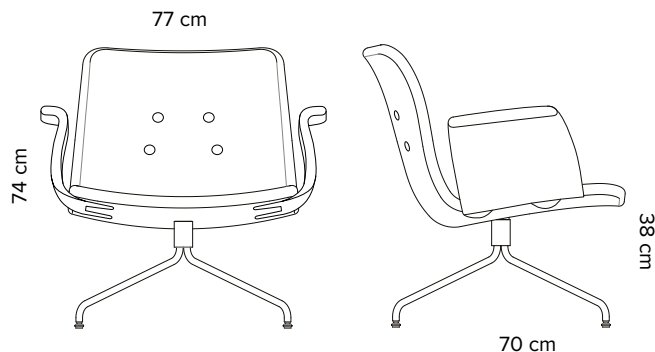
Type	Upholstered lounge chair with swivel base
Dimensions	H: 74 cm, D: 70 cm, W: 62 cm (without arm rest), W: 77 cm: (with arm rest) Seat height: 38 cm, Seat depth: 55 cm, Seat width: 62 cm, Base width: 60 cm
Base	Black powder coated steel or brushed stainless steel.
Glides	Standard without felt. Felt glides available for 10 EUR per set. The customer will have to replace the glides himself.
Upholstery	Cold foam
Cover	Not all types of leather or fabric are suitable for Primum Lounge Chair. Please contact us for special requests.

	w/o armrest		w/ armrest	
	Black legs	Brushed stainless legs	Black legs	Brushed stainless legs
<b>Fabric:</b>				
Advantage	969	1065	1239	1250
Blazer	1032	1212	1307	1353
Fiord	1102	1229	1408	1432
Rime	1250	1273	1467	1520
Steelcut	1146	1245	1432	1481
Hallingdal	1146	1245	1432	1481
Breeze Fusion	1260	1340	1542	1592
Capture	1243	1322	1531	1576
Re-wool	1102	1145	1363	1396
<b>Leather:</b>				
Zenzo 2 colour: 207 (black), 223 (cognac)	1212	1315	1605	1708
Zenzo 2 colour: 211, 231, 286, 293, 295	1582	1653	1834	1858
Adrian	1432	1519	1898	2006
Davos	1543	1582	2056	2167
<b>Surcharge</b>				
Felt glides	11	11	11	11
Buttons in other colours	58	58	58	58

Primum Lounge Chair



Primum Lounge Chair w/ armrest



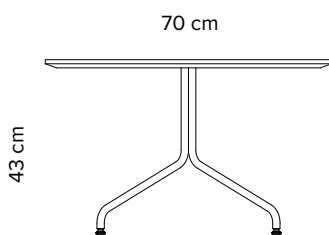
# Primum Lounge Table

Design: Bent Hansen Studio

Type	Lounge table
Dimensions	H: 43 cm, diameter: 70 cm
Table top	Oiled oak veneer or black linoleum. Edge list in oiled oak.
Table legs	Black powder coated steel or brushed stainless steel.

	Table top in oak veneer	Table top in black linoleum
<b>Table legs:</b>		
Black powder coated steel	551	551
Brushed stainless steel	605	605

Primum Lounge Table



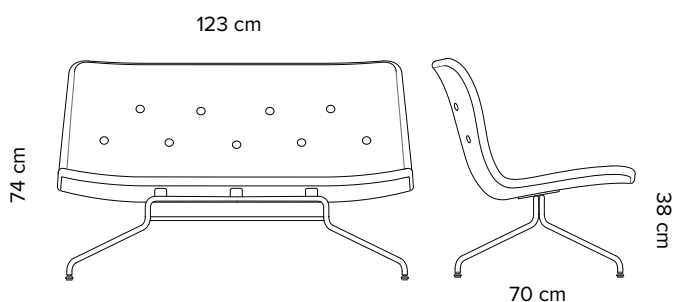
# Primum Sofa

Design: Bent Hansen Studio

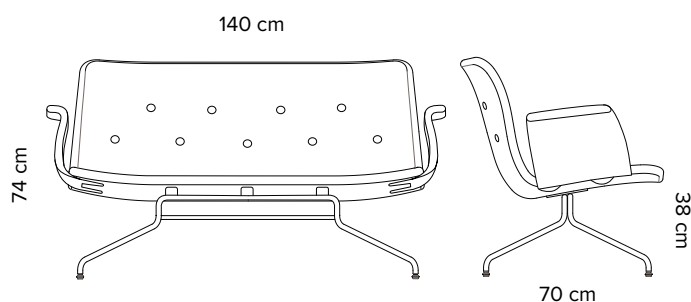
Type	2-seater sofa
Dimensions	H: 74 cm, D: 70 cm, L: 123 cm (without armrest), L: 140 cm (with armrest) Seat height: 38 cm Seat depth: 52 cm
Base	Black powder coated steel or brushed stainless steel.
Glides	Standard without felt. Felt glides available for 10 EUR per set. The customer will have to replace the glides himself.
Upholstery	Cold foam
Cover	Not all types of leather or fabric are suitable for Primum Sofa. Please contact us for special requests.

	w/o armrest		w/ armrest	
	Black base	Brushed stainless base	Black base	Brushed stainless base
<b>Fabric:</b>				
Advantage	1680	1807	1822	1948
Blazer	1785	1912	1934	2018
Fiord	1922	2049	2115	2204
Rime	2044	2178	2204	2330
Steelcut	2044	2178	2204	2330
Hallingdal	1972	2110	2178	2291
Breeze Fusion	2121	2269	2315	2414
Capture	2094	2266	2291	2402
Re-wool	2055	2132	2236	2350
<b>Leather</b>				
Zenzo 2 colour: 207 (black), 223 (cognac)	2041	2178	2291	2406
Zenzo 2 colour: 211, 231, 286, 293, 295	2152	2279	2405	2520
Adrian	2339	2471	2832	2939
Davos	2716	2847	3032	3132
<b>Surcharge</b>				
Felt glides	11	11	11	11
Buttons in other colours	58	58	58	58

Primum Sofa



Primum Sofa w/ armrest





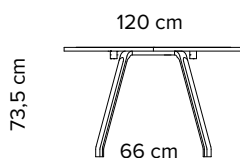
# Primum Table

Design: Bent Hansen Studio

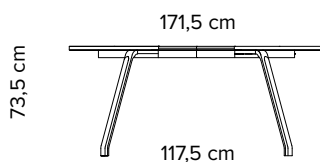
Type	Extension table
Dimensions	H: 73,5 cm, diameter 120 cm, extension leaf: 51,5 cm, table top: 3cm Distance between table legs (floor level), 0 extension leaves: 66 cm / 66 cm Distance between table legs (floor level), 1 extension leaf: 117,5 cm / 66 cm Distance between table legs (floor level), 2 extension leaves: 169 cm / 66 cm
Table top	Oiled oak veneer or black linoleum. Edge list in oiled oak.
Extension leaves	Black linoleum. Max 2 leaves.
Table legs	Black powder coated steel, brushed stainless steel, matt lacquered oak or matt black lacquered beech.

	Table top in oak veneer	Table top in black linoleum
<b>Table legs:</b>		
Black powder coated steel	1201	1233
Brushed stainless steel	1226	1322
Matt lacquered oak	1244	1349
Matt black lacquered beech	1244	1349
<b>Surcharge</b>		
Extension leaves in black linoleum		302

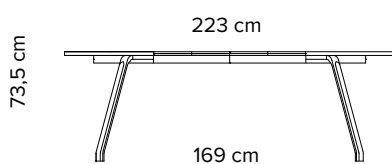
## Primum Table, 0 extension leaves



## Primum Table, 1 extension leaf



## Primum Table, 2 extension leaves



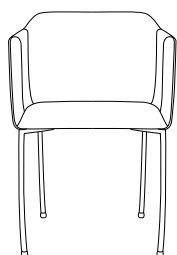
# Since Chair

Design: Bent Hansen Studio

Type	Upholstered chair with armrest
Dimensions	Dimensions depend on model. See below.
Base	Fixed base in black powder coated aluminum Swivel base in black powder coated or polished aluminum Swivel base w/ castors in black powder coated or polished aluminum
Glides	Standard without felt. Felt glides available for 10 EUR per set. The customer will have to replace the glides himself.
Tilt	Standard on swivel base and swivel base w/ castors
Upholstery	Molded shell
Cover	Not all types of leather or fabric are suitable for Primum Sofa. Please contact us for special requests.

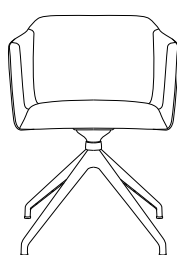
	Fixed base		Swivel base		Swivel base w/ castors		Swivel base w/ return		Swivel base w/ castors and return	
	Black	Black	Polish	Black	Polish	Black	Polish	Black	Polish	
<b>Fabric:</b>										
Advantage	515	595	628	692	726	697	730	742	774	
Blazer	572	653	686	751	785	756	789	800	833	
Fiord	648	728	761	826	859	831	864	875	908	
Rime	706	771	804	870	902	874	907	918	951	
Eros	692	728	761	826	859	831	864	875	908	
Steelcut	721	804	837	902	935	907	939	951	983	
Hallingdal	687	765	798	864	896	868	900	912	946	
Breeze Fusion	786	854	881	953	979	957	983	1001	1028	
Capture	737	826	859	924	957	928	962	972	1006	
Re-wool	721	802	835	899	933	905	937	949	981	
<b>Leather:</b>										
Zenzo 2 Colour: 207 (black), 223 (cognac)	653	729	762	827	860	832	865	876	909	
Zenzo 2 Colour: 211, 231, 286, 293, 295	897	980	1013	1079	1112	1083	1116	1127	1160	
Adrian	771	880	913	978	1011	982	1015	1027	1059	
Davos	941	1021	1054	1070	1097	1058	1086	1102	1130	
<b>Surcharge</b>										
Glides with felt	11	11	11			11	11			

**Fixed base**



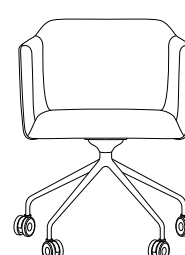
H: 74,5 cm  
D: 52 cm  
Seat height: 46 cm  
Seat depth: 40 cm  
Seat width: 43 cm  
Base width: 48 cm  
Armrest height\*: 69 cm  
\*measured 18 cm from front edge

**Swivel base**



H: 74,5 cm  
D: 50 cm  
Seat height: 46 cm  
Seat depth: 40 cm  
Seat width: 43 cm  
Base width: 49,5 cm  
Armrest height\*: 69 cm  
\*measured 18 cm from front edge

**Swivel base w/ castors**



H: 74,5 cm  
D: 57 cm  
Seat height: 46 cm  
Seat depth: 40 cm  
Seat width: 43 cm  
Base width: 52 cm  
Armrest height\*: 69 cm  
\*measured 18 cm from front edge

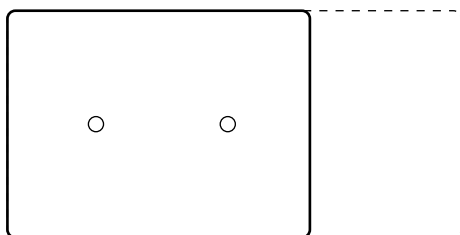
# Soft Cushion

Design: Bent Hansen Studio

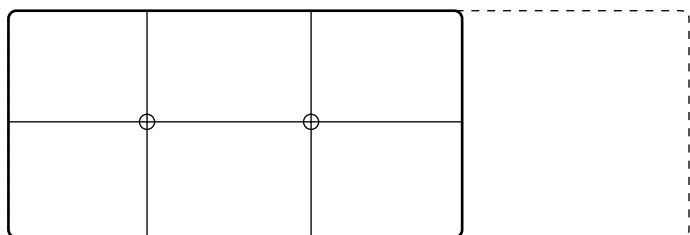
Type Cushions in fabric or leather. 40 mm cold foam core  
 Variants With or without buttons and squares\*  
 Models The cushions can be made according to your specifications

	Fabric						Leather			
	Advantage	Blazer	Fiord	Rime	Steelcut	Hallingdal	Zenzo 2 Colour: 207 (black)	Zenzo 2 Colour: 211, 233, 231, 286, 293, 295	Adrian	Davos Ranchero Colour: Dark-Grey, Whisky, Nuss, Kastanie, Kakao, Schwarz
<b>Cm:</b>										
<b>40 x 40 - 60</b>	260	280	313	341	327	333	306	337	365	401
<b>40 x 61 - 80</b>	324	337	365	389	375	379	393	431	468	513
<b>40 x 81 - 100</b>	362	375	408	437	426	430	449	496	540	597
<b>40 x 101 - 120</b>	420	439	468	496	481	485	515	587	637	703
<b>40 x 121 - 140</b>	459	506	580	646	617	623	559	626	681	749
<b>40 x 141 - 160</b>	546	599	681	762	721	729	655	730	796	885
<b>40 x 161 - 180</b>	561	627	717	801	765	768	688	771	843	936
<b>40 x 181 - 200</b>	679	748	843	936	899	908	814	908	988	1095
<b>40 x 201 - 220</b>	735	809	918	1021	976	983	883	983	1073	1189
<b>40 x 221 - 240</b>	749	834	956	1068	1020	1028	914	1023	1120	1252
<b>60 x 41 - 60</b>	298	318	351	375	369	374	374	415	456	503
<b>60 x 61 - 80</b>	341	369	410	449	431	437	437	491	539	604
<b>60 x 81 - 100</b>	374	408	435	468	454	458	501	561	627	703
<b>60 x 101 - 120</b>	407	437	468	515	499	505	561	637	706	796
<b>60 x 121 - 140</b>	468	518	588	655	627	630	626	716	796	902
<b>60 x 141 - 160</b>	558	612	692	770	735	743	734	838	927	1047
<b>60 x 161 - 180</b>	613	674	768	843	813	820	809	924	1025	1159
<b>60 x 181 - 200</b>	674	743	843	936	896	902	889	1020	1124	1277
<b>60 x 201 - 220</b>	735	810	921	1024	978	987	971	1112	1233	1393
<b>60 x 221 - 240</b>	791	871	994	1105	1055	1063	1047	1198	1330	1506
<b>Surcharge*</b>										
Squares	30% of the cushion's price									
Buttons	incl. in price									

Do you want your cushions in another material? Please, contact us for quote.



With or without buttons



With or without squares

# Stool

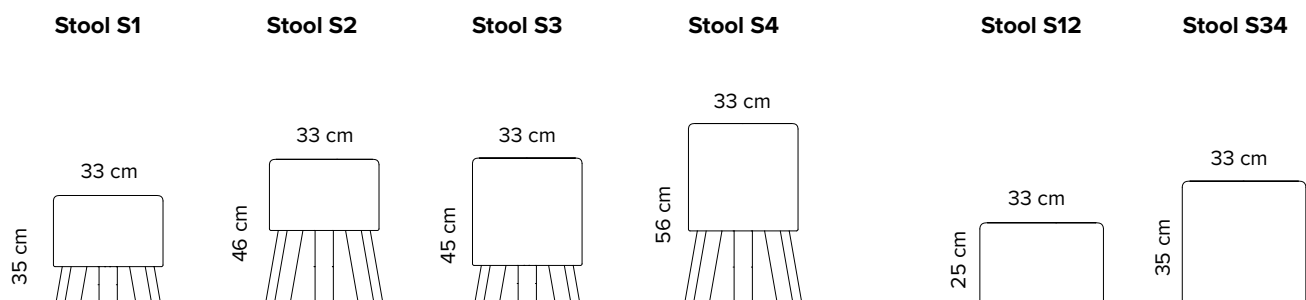
Design: Anne Boysen

Type	Stool
Variants with oak legs	S1, S2, S3, S4
Variants with gliders	S12, S34
Upholstery	CMHR foam
Cover	Available in fabric or leather Not all types of fabric or leather are suitable for Stool. Please contact us for special requests.
Legs	Soap treated oak

	S1	S2	S3	S4	S12	S34
<b>Fabric:</b>						
Advantage	323	348	331	358	238	253
Blazer	331	347	358	375	251	272
Fiord	356	373	384	401	270	296
Rime	375	390	406	423	285	319
Steelcut	367	385	397	415	280	308
Hallingdal	367	385	397	415	280	308
<b>Leather:</b>						
Zenzo 2	472	488	536	551	395	462
Adrian	514	533	592	613	440	525
Davos Ranchero*	577	594	662	690	507	605

\*colour: Dark-Grey, Whisky, Nuss, Kastanie, Kakao, Schwarz

Do you want Stool in another material than the ones listed above? Please contact us for quote.



# Tension Daybed

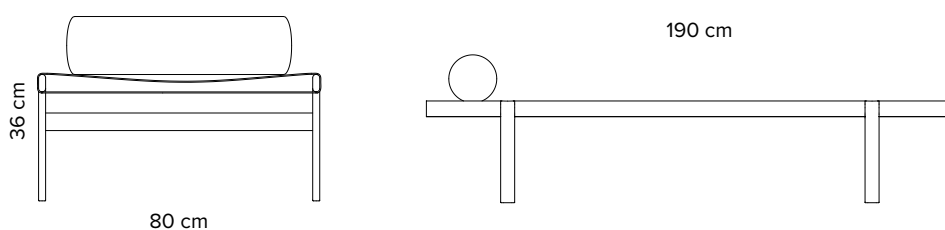
Design: Says Who

Type	Daybed
Dimensions	H: 36 cm, L: 190 cm, W: 80 cm
Cover	Grain leather, nature or black
Legs	Black textured coated steel
Glides	Not suitable for wooden floors. Glides suitable for wooden floors on request.

Tension Daybed

2975

## Tension Daybed



# Tension Lounge Chair

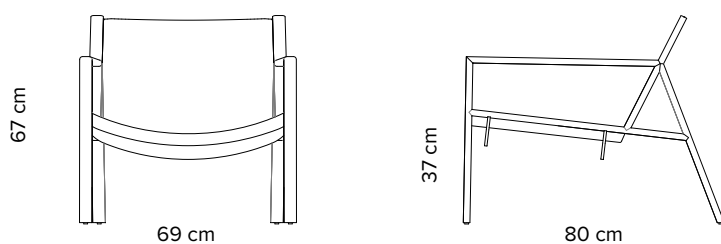
Design: Says Who

Type	Lounge chair
Dimensions	H: 67 cm, L: 80 cm, W: 69 cm, seat height: 37 cm
Cover	Grain leather, nature or black
Legs	Black textured coated steel
Glides	Not suitable for wooden floors. Glides suitable for wooden floors on request.

Tension Lounge Chair

2203

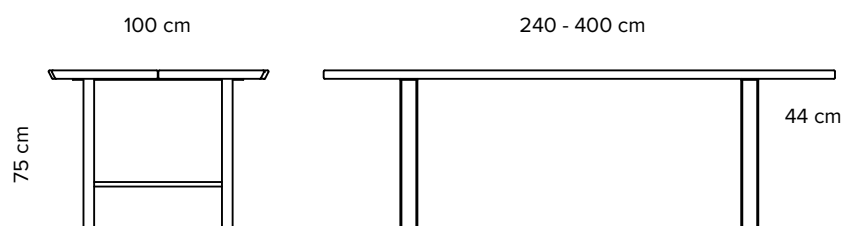
Tension Lounge Chair



Type	Plank table
Dimensions	H: 75 cm, L: 240-400 cm, W: 100 cm, plank thickness 4 cm Distance from head of the table to legs: 44 cm Placement of table legs can be changed by request
Table top	Two oak planks made of three broad rods glued together. Live edges. Available in oiled oak and smoked oak
Table legs	Black powder coated steel

Length:	Table top in oiled oak	Table top in smoked oak
240 cm	3171	4584
260 cm	3438	4849
280 cm	3730	5157
300 cm	4116	5806
320 cm	4320	6127
340 cm	4539	6450
360 cm	4739	6752
380 cm	4958	7073
400 cm	5229	7384
<b>Surcharge</b>		
Oil and sponge for maintenance		69

## Track



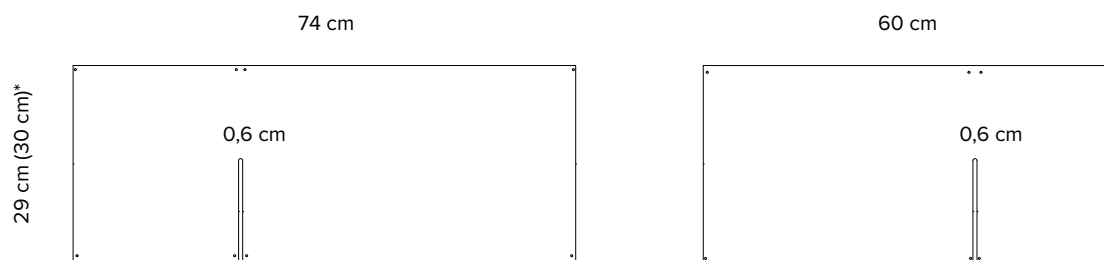
# Up The Wall

Design: Bent Hansen Studio

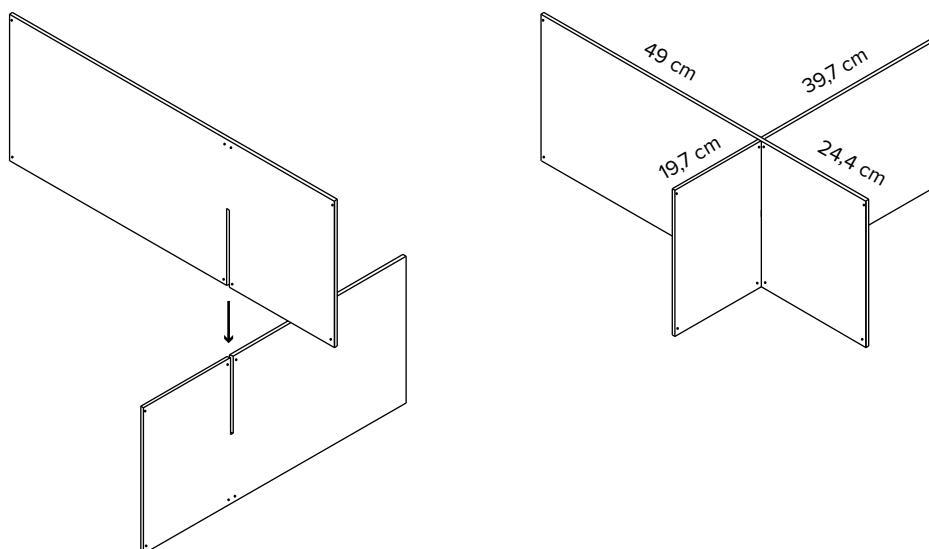
Type	Shelves
Dimensions long shelf	H: 0,6 cm, W: 29 cm, L: 74 cm
Dimensions short shelf	H: 0,6 cm, W: 29 cm, L: 60 cm
Shelf depth	30 cm
Variants	White or black
Material	Compact laminate

	per set of shelves
White	213
Black	213

## Up The Wall set of shelves



\*The shelf plate measures 29 cm. When the shelf is mounted on the wall the fittings increase the width to 30 cm.





**Bent Hansen** 